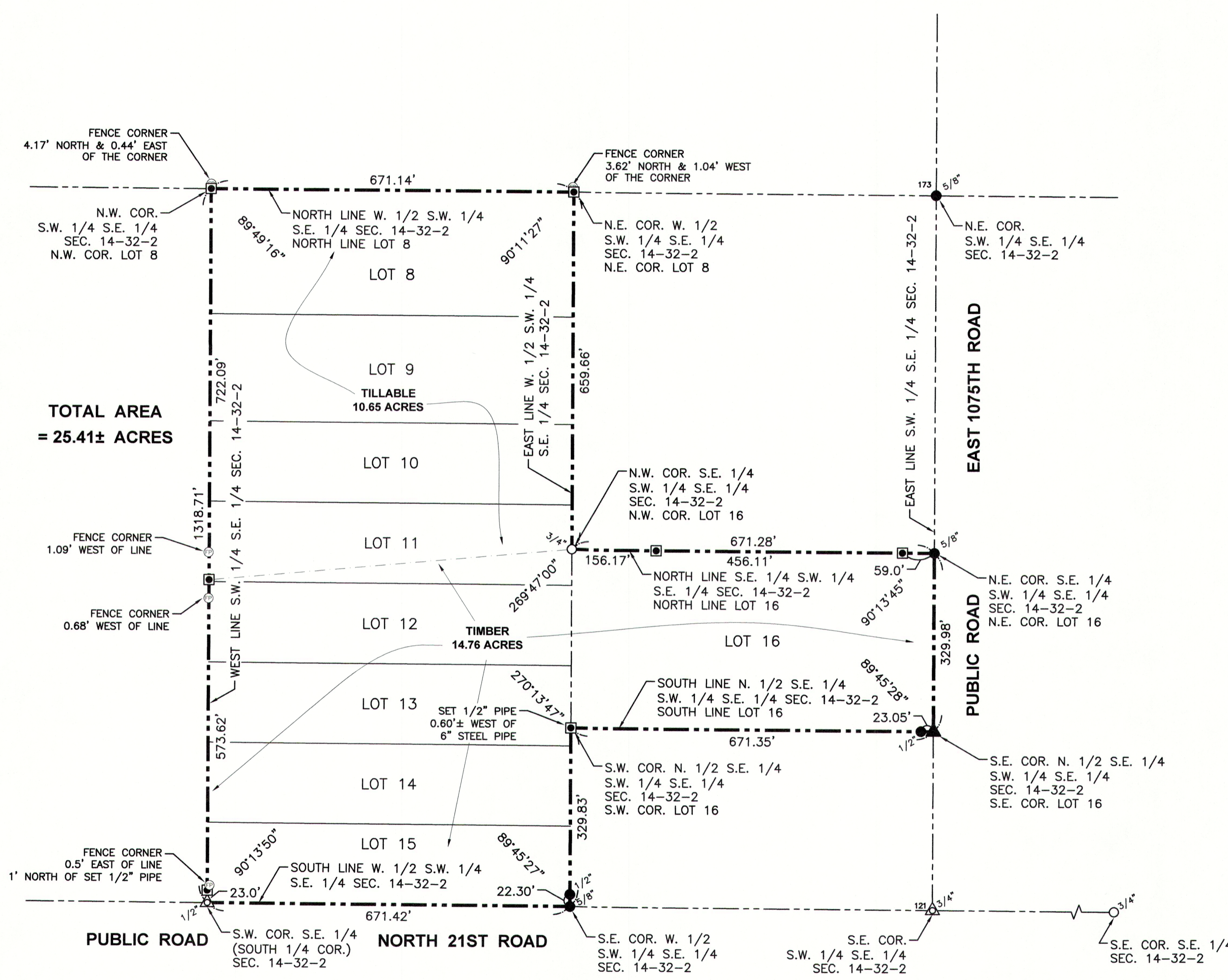
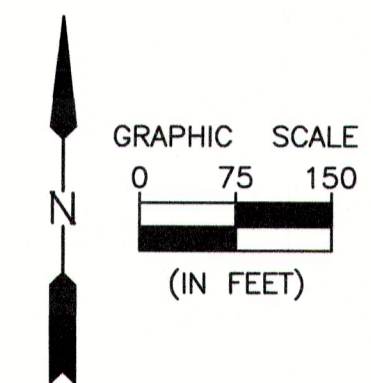


PLAT OF SURVEY
 FOR
LOTS 8 THROUGH 16 IN THE SOUTHWEST QUARTER OF THE SOUTHEAST QUARTER
OF SEC. 14, T. 32 N., R. 2 E. OF THE THIRD PRINCIPAL MERIDIAN
LASALLE COUNTY, ILLINOIS
 APRIL, 2022



TOTAL AREA
 = 25.41± ACRES



- LEGEND**
- BOUNDARY OF SURVEY
 - - - U.S. GOVERNMENT SUBDIVISION LINE
 - LOT LINE
 - - - EDGE OF TIMBER
 - △ RECOVERED IRON PIPE OVER STONE MONUMENT
 - RECOVERED IRON PIPE
 - RECOVERED IRON BAR
 - SET 1/2" IRON PIPE
 - ▲ SET RAILROAD SPIKE
 - ⊙ FENCE CORNER / FENCE POST

LEGAL DESCRIPTION

LOTS 8 THROUGH 16 IN THE SOUTHWEST QUARTER OF THE SOUTHEAST QUARTER OF SECTION 14, TOWNSHIP 32 NORTH, RANGE 2 EAST OF THE THIRD PRINCIPAL MERIDIAN AS SHOWN BY THE PLAT RECORDED IN CHANCERY RECORD "M" PAGE 503 AT THE OFFICE OF THE CIRCUIT CLERK OF LASALLE COUNTY, CONTAINING 25.41 ACRES, MORE OR LESS, ALL SITUATED IN LASALLE COUNTY, ILLINOIS AND SUBJECT TO THE RIGHTS OF THE PUBLIC TO THAT PORTION BEING USED AS A PUBLIC HIGHWAY.

SURVEYOR'S CERTIFICATE

We, Chamlin & Associates, Inc., do hereby certify that the within plat is a true and correct representation of a survey made under our direction.

This professional service conforms to the current Illinois Minimum Standards for a Boundary Survey.

Dated this 15th day of April, A.D., 2022.

Michael W. Soenksen
 Michael W. Soenksen
 Professional Land Surveyor
 No. 035-003209



PREPARED FOR: CARL WEBER
 DATE OF FIELD WORK COMPLETION: 04/14/2022
 CHAMLIN & ASSOCIATES 218 W. LAFAYETTE ST. OTTAWA, ILLINOIS 61350 815-434-7225

DRAWN BY: KED	REVISIONS			
	LEVEL	BY	DATE	DESCRIPTION
CHECKED BY: MWS				
DATE: 04/2022				

PLAT OF SURVEY	CURRENT AS OF: 04/15/2022	
	SCALE: AS NOTED	SHEET 1
	FILE NO.: N8414.00Y-	OF 1

CHAMLIN & ASSOCIATES, INC. © 2022
 Drawing Name: R:\USERS\B.N8414.00 - - Weber, Carl - Survey - Vermillionville\CAD\N8414-A.dwg
 Last Modified: Friday, April 15, 2022 1:15:20 PM
 Plotted On: Friday, April 15, 2022 1:16:56 PM
 by Mike Soenksen

